

DepthCalibrator

DepthCalibrator

**DepthCalibrator**

[www.mgb-tech.com](http://www.mgb-tech.com)

## ■ Introducing the DepthCalibrator WDC-40BC

Depth calibration has just been simplified. MGB-Tech developed a tool that is both accurate and easy to use.

Our calibrator consists of two modules: a portable command unit and a remote transducer.

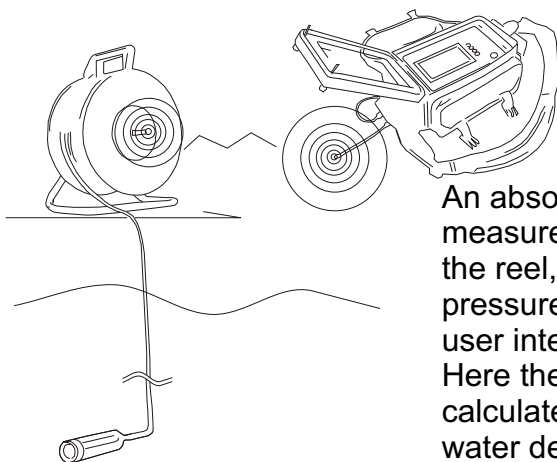
The remote transducer is built into a reel. It incorporates a battery pack, 24-bit measurement circuit and radio unit. The user interface incorporates a rugged battery pack, large LCD and is delivered in a shock resist carrier bag which enables excellent portability.

## ■ Specifications

- Depth range : 0 tot 30m
- Statistic accuracy: +/-0.1% FSL
- Temperature range: -20 to +60C
- Communication range (line of sight) : 600m
- Minimum uptime : 10 hours
- Automatic temperature compensation



## ■ Principle of operation



Reliable operation.  
No vent tube required.

An absolute pressure transducer performs a measurement under water. This value is acquired by the reel, which also measures the atmospheric pressure (above the water) and transmits both to the user interface module.

Here the data is analysed and an accurate depth calculated by the use of user defined parameters like water density, position offset etc....